

3000

3000 SERIES



Safety Director™



Safety Director™ Bar

Incandescent or halogen directional warning power with a choice of flash patterns and user-friendly control, the Safety Director™ is the ideal product to steer traffic away from work zones and other dangerous situations.

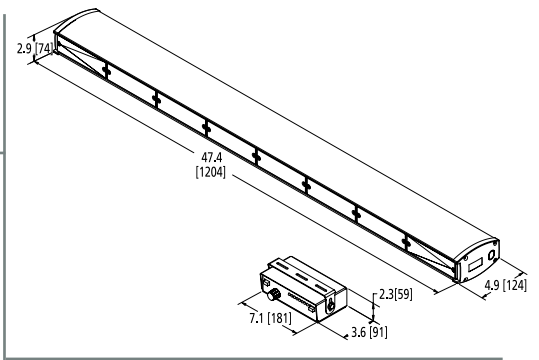
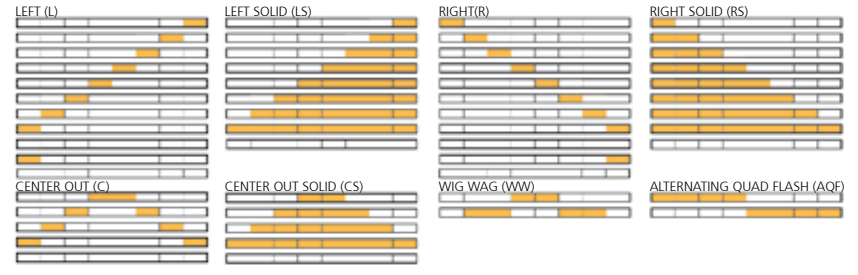
Models

PART NO.	CABLE LENGTH	VOLTAGE	MAX AMPS*	LIGHT SOURCE
3015	15'	12	18	Incandescent
3215	15'	24	9	Incandescent
3035	35'	12	18	Incandescent
3235	35'	24	9	Incandescent
3055	55'	12	18	Incandescent
3015H	15'	12	18	Halogen
3035H	35'	12	18	Halogen
3055H	55'	12	18	Halogen

Features and Benefits

- Multiple user-selected flash patterns signal traffic to avoid hazards
- 8 individual lamps project high intensity warning in low profile unit
- Lens designed for efficient light distribution
- Wig Wag and Alternating flash patterns are certified to California Title 13
- AMECA certified to SAE J845 Class I (3015H only)
- Temperature Range: -22°F to +122°F (-30°C to +50°C)
- Warranty: Rotator = 2 years / Bulb = 90 days

Flash Patterns



Replacement Parts

- Bulbs - Halogen - R3000BH
Incandescent 12V - R3000BI
Incandescent 24V - R3200BI
- Wire Assemblies: 15' - R3015WA
35' - R3035WA
55' - R3055WA
- Fuse Plug Assmby - w/bracket R3000FBK
w/o bracket R3012FPA
- LED Director Controller - R3300CB
- Signal Bar: Model 3015 R3015LB
Model 3215 R3215LB
Model 3015H R3015HLB
Model 3035 R3035LB
Model 3235 R3235LB
Model 3035H R3035HLB
Model 3055 R3055LB
Model 3055H R3055HLB

ECCO[®]
833 West Diamond Street
Boise, Idaho 83705

T: 800-635-5900 or 208-395-8000
F: 800-688-3226 or 208-395-8190
www.eccolink.com

